

ALWAYS

re  
e  
r eud s i C e  
recycle



Circular Economy

Renewable Resource

Hyper-personalized skincare

Post-Consumer Recycled

Clean Beauty

Elevate personal hygiene

Sustainable Solution

**navigate**

the packaging focus options and start the sustainable quest

**Refillable Bag-in-Bottle Airless System**

#PostConsumer #Recycled #CleanBeauty #Personalized



6.

PCR  
ECO  
Airless  
Bottle



7.

360° PCR  
Airless  
Sprayer



8.

Refillable  
PCR Airless  
Bottle



9.

Airless  
Shuttle  
3in1

**Professional Dispensing**

#Makeup #Cleansing #Oil

**Eco-Sensitive**

#Renewable #Sustainability



11.

POM-free  
BB Pump



12.

DURA-21  
Pump



13.

Biomass  
plastic  
packaging

project driven packaging design

PCR

ECO  
Airless  
Bottle

Natural,  
clean beauty,  
transparent  
label



packaging  
focus

**Beautifier**, the trend has been around for some time and is associated with natural and green beauty that deviates from conventional beauty products.

It is products that are mindfully created and produced without any proven or suspected toxic ingredients.

Clean Beauty products include ingredients ethically sourced and supposedly benefits consumers as well as the environment.

There's no legal term to regulate the exact definition of clean beauty, yet, many companies tend to establish products based on these two approaches:

- ✓ **Non-toxic ingredients**  
Rid of any proven or suspected toxic ingredients
- ✓ **Transparent labels**  
Benefit consumers with fully comprehended product composition.

**ECO airless bottles** keep the product out of microbial contamination and remain neutral while holding sensitive formulation. There's also a refillable multi-cartridge design for a personalized user experience.

There's no compromise to be made anymore, whether it's a shower gel for everyday usage or an anti-aging serum for premium beauty care.

 safer, greener skincare

360° PCR  
Airless  
Sprayer

Strawless  
Ocean-  
friendly



PCR Airless Burlly Sprayer

### Dispense at any angle

The 360° PCR Airless Sprayer offers an easy dispensing way for consumer usage. The sprayer enables users to apply products with no limit of angle,

With a broad reach of mist coverage, it is suitable for most hair care, beauty, makeup, body care, sun care, and personal hygiene products.

### Go strawless

Plastic straws are too lightweight to make it through the mechanical recycling sorter. They mix with other materials and often end up in the ocean jeopardizing marine life. Hence the global strawless action rises against the use of plastic straws.

The airless sprayer doesn't require plastic straw for dispensing and offers a precise dosage at every stroke.

### Post-consumer recycled material

The 360° PCR Airless Sprayer advances in many ways, and one, in particular, is the use of post-consumer recycled plastics. The usage of PCR material in all packaging options is a promise SR Packaging makes to secure sustainability to the environment.

packaging  
focus

## Refillable PCR Airless Bottle

ACD

packaging  
focus

ACG



Luxurious &  
Sustainable

ACH



ASB



### **4 collections, 6 sizes, fit with any existing airless pack**

Refillable PCR Airless Bottle helps brands to upgrade the current skincare line, transforming the old-fashioned airless bottle to the new Refillable concept, boosting the brand's green power with the minimum change. The packaging indeed offers a substantial opportunity for companies to step towards the sustainable scheme, and all it needs now is a refined finish for a successful brand launch.

The bag-in-bottle airless design, Refillable PCR Airless Bottle has 5 components:

- i. Reusable shell made of SAN or PMMA in 4 collections
- ii. Refillable PCR Airless Bottle in 6 sizes
- iii. PP Pump collar: the PP collar screw airless pump with bottle.
- iv. PP Airless pump of dosage 0.2 cc.
- v. Transparent PP overcap.

The inner refill is easy to replace without the need for any special equipment. Unscrew the inner airless bottle from the outer chamber then put the new PCR refill into place. The pack is primed ready for use afresh and the depleted refill pack can enter the recycling stream once again.



bag-in-bottle airless design

Airless Shuttle  
3-in-one

Personalized  
Beauty  
experience



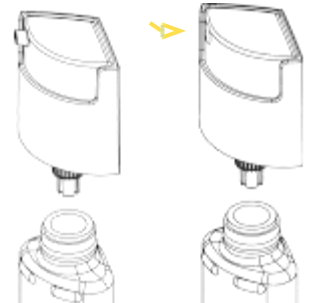
*With an Airless Shuttle, the consumers receive not just another skincare product but their very one set of solutions tailored to the user's unique skin condition.*

### The simpler, the better

Fashion companies and leading brands have all sorts of sustainable marketing campaigns to slowdown the environmental impact caused by business activities. One of the many things would be providing a simplified commodity, and Airless Shuttle is the solution for skincare companies.

It has three refillable ECO Airless Bottles that can be the three essential daily skincare usage. It enables brands to interact with users, identify skin conditions, then provide a personalized beauty set, all in just one pack.

packaging  
focus



2 dispensing options



Pump

Sprayer

Airless  
Shuttle  
3-in-one

Personalized  
Beauty  
experience

packaging  
focus



Sprayer

P u m p

### Trends, personalizations, and both

Customized user experience slowly shifts from the luxurious segment to the mainstream while the beauty trends continue to spur. Leaving the option open to the consumers can lead to the next most discussed topic, which benefits both the users and the brands.

### Stick to Sustainability!

The three ECO Airless Bottles can also be PCR Airless Bottles of 70% post-consumer recycled resin. The patented bag-in-bottle airless system uses 70% less plastic compared to conventional airless bottles.

 tailored 3-step skincare

POM-free  
BB Pump  
Type I & II

Benefits for  
Beauty

### ***New POM-free BB pumps added to the Back Suction Pump Collection.***

BB pumps (Benefits for Beauty) are ideal for oil-based formulae of cosmetic cleansing oil, makeup remover, and variants of skincare oil products.

The stylized BB Pumps offer convenient usage, ensure consumer safety, and are available with post-consumer recycled plastics for companies seeking sustainable solutions.



for oil-based formulae

### ***POM-free and EU-compliant, uphold a commitment to consumer health***

Polyoxymethylene (POM) is known to form formaldehyde when it degrades and exists in dispensing pump or sprayer mechanisms. POM can have undesirable characteristics when burned and releases formaldehyde gas, which irritates the nose, throat, and eye tissues.

Removing POM from BB Pump makes it a safer packaging solution for consumer health.

### ***More dosage variations for sophisticated and economical solution***

The previous back suction pumps are 1.0 cc and 0.7 cc, and are eminent for many beauty brands. With the emerging oil-formulae product variations, companies are seeking alternatives for diversified skincare solutions. Hence, the smaller dosage of 0.5 cc is now available for more sophisticated and economical solutions.

0.5 cc back suction pump



2021  
packaging  
focus

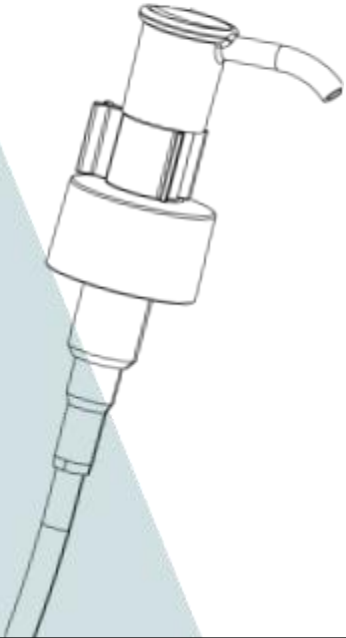


0.7 cc back suction pump



DURA-21  
Pump

Resistant  
PBT material  
opted



***PBT plastic opted for the component of the passageway of content delivery of a dispensing pump, ensuring a leakage-proof product dispensing.***

The PBT-made DURA-21 pump takes an unremittable role in SRP's Back Suction Pump Collection built for low-viscosity liquid with no dripping, leaking, or seeping.

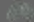
The chemical-resistant PBT plastic is mechanically strong, opted for the component of the passageway of content delivery of a dispensing pump, supplementarily ensuring leakage-proof product dispensing for the high-performance makeup remover.

**Integrate** a reliable dispensing pump  
**Target** repeating usage  
**Win** consumer trust

***for the high-performance  
makeup remover***



packaging  
focus

 Anti-leak Dispensing Performance

Biomass  
plastic  
packaging

Made from  
agricultural  
by-products

Benefits of  
opting  
bioplastic  
packaging

**Plant-based** plastic made from the byproduct of sugarcane  
**Renewable** resource, not from invaluable fossil fuels  
**Recyclable** for the post-consumer recycling process  
**Retains** the same properties of traditional oil-based polymers



packaging  
focus

### Sugarcane Tube

*The packaging made of the viable plant-based Polyethylene.*

Fossil fuel is a limited and invaluable natural resource, and will eventually come to an end. Hence, more and more renewable replacements are made available. For packaging production, Sugarcane-based PE is one credited substitution.

Made from the byproduct of sugarcane, Sugarcane-based Polyethylene (PE) is a bio-based polymer. It is the renewable source alternative to the valuable oil-based polymer.

Extracting ethanol from sugarcane creates a viable plant-based polythene product and is suitable for the recycling mix, as well as for subsequent reuse.



Sugarcane Tube



LOS ANGELES . VANCOUVER . SHANGHAI . SHENZHEN

<https://beautifierlife.com/>

Email: [support@beautifierlife.com](mailto:support@beautifierlife.com)

**North America Distribution Centers:**

USA: 10750 St, Louis Dr,

El Monte, CA 91731